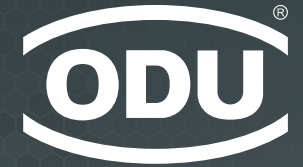


ODU AMC[®] SERIES T

Connectors with ODU integrated shield-termination platform



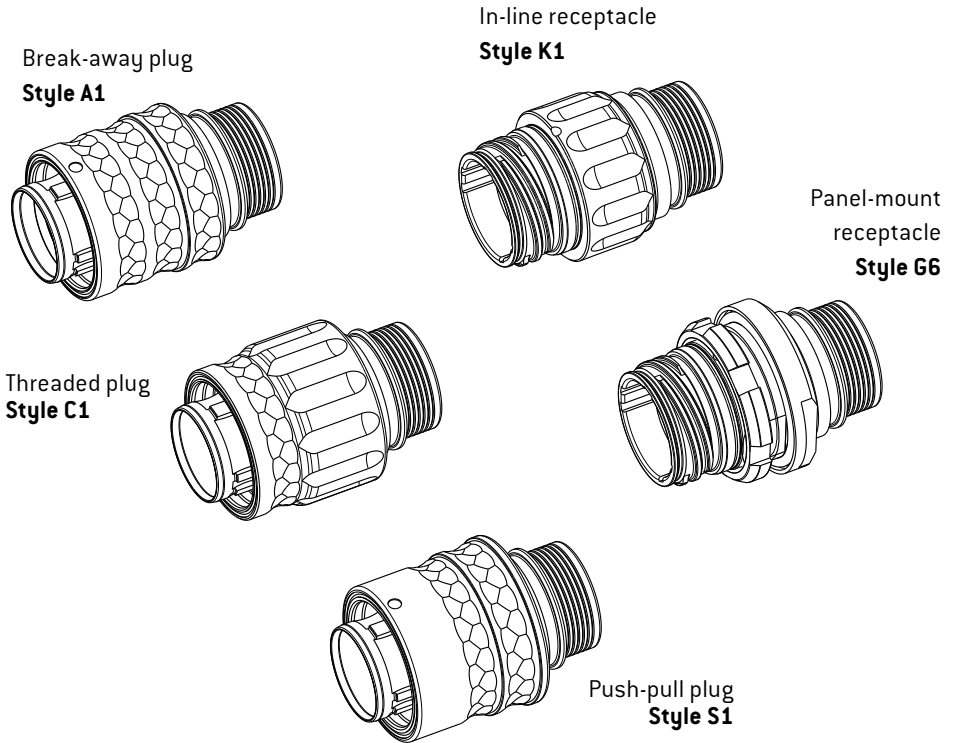
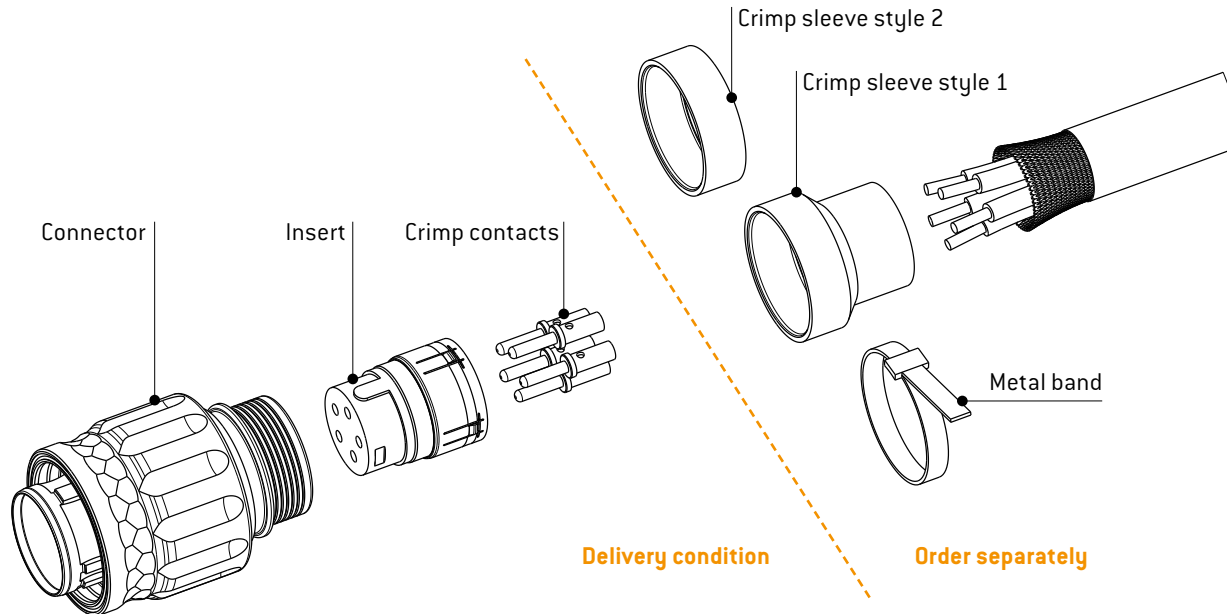


TABLE OF CONTENTS

ASSEMBLY STEP BY STEP	03 – 05
CONNECTORS WITH CRIMP TERMINATION	
GENERAL NOTES	06
SHIELDING TERMINATION	07
CABLE INTERFACE	08

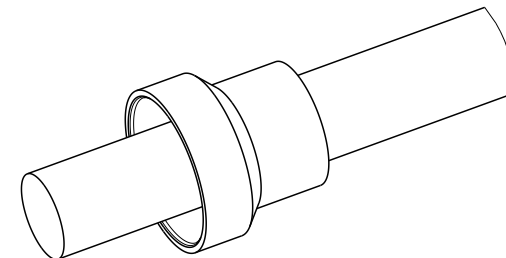
ASSEMBLY STEP BY STEP

CONNECTORS WITH CRIMP TERMINATION



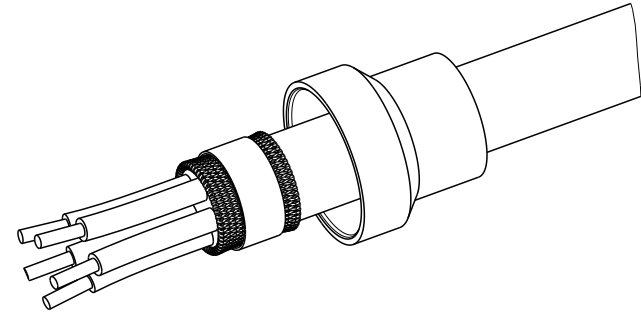
Step 1

- Slide crimp sleeve over the cable. The crimp sleeve is not needed if a metal band is used for fastening the shield to the crimp area. The crimp sleeve has to be ordered separately. For more information please see [page 7](#).



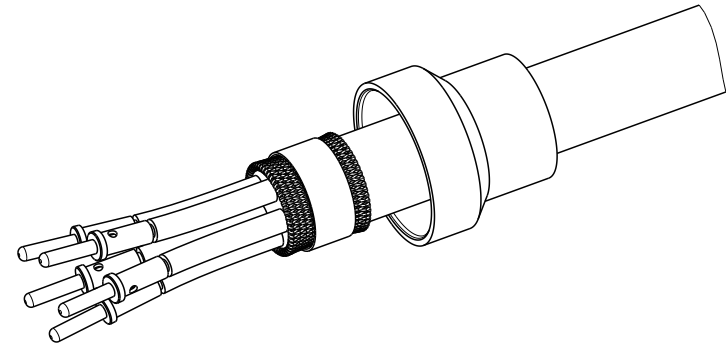
Step 2

- ▶ Strip cable and conductors ([see page 6](#)). Fold back the shield and use fastening tape (e.g. Würth: 09920019) to fasten it temporarily to the cable jacket.



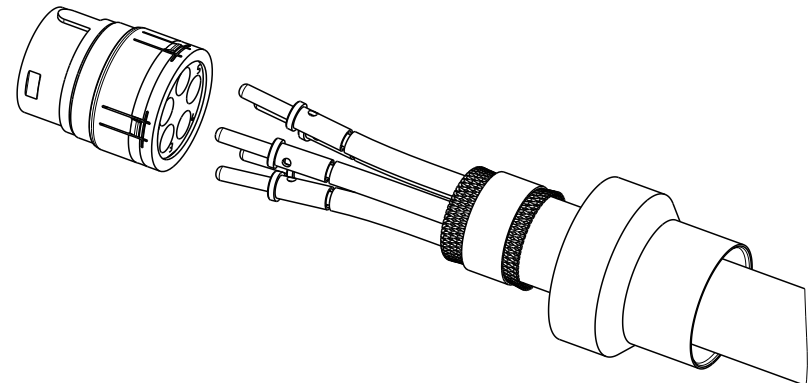
Step 3

- ▶ Crimp the contacts to the wires. For recommended tools and instructions please see [crimp contact specification D00016300](#).



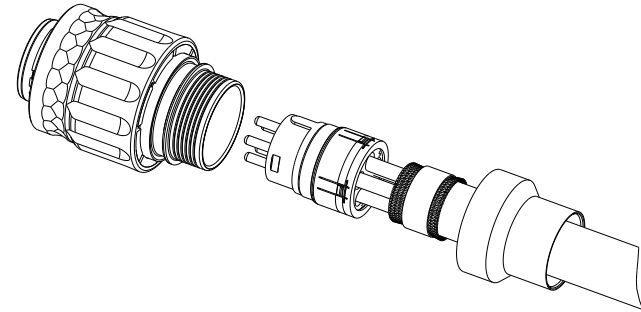
Step 4

- ▶ Press the terminated contacts into the contact cavities according to the application-specific pinout instructions. Tools can also be found on [crimp contact specification D00016300](#).



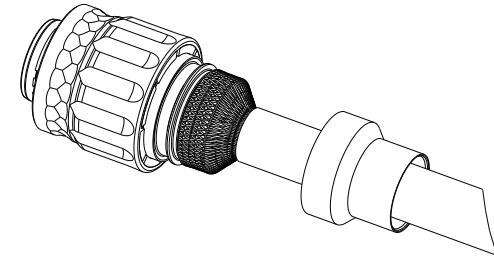
Step 5

- ▶ Put the assembled insert with the cable into the housing. Align the exterior key of the insert with the interior keyway of the connector. Press the insert assembly into the connector. If inserted correctly, there should be an audible “click.”



Step 6

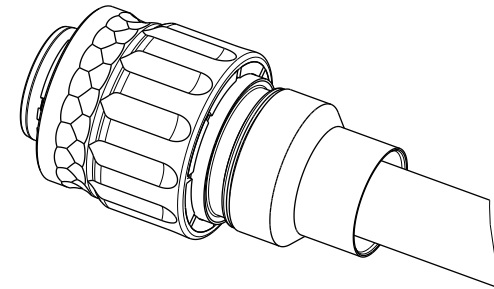
- ▶ Remove the fastening tape and lay the shield braid on to the crimp area.



Step 7

- ▶ Fasten the shield braid to the crimp area by means of crimping or by using a metal band. More information on [page 7](#).

Optional: For additional sealing or to prepare for overmolding, the interior of the crimp sleeve may need to be potted. (ODU recommends Dow Corning SE 9187 L or WEVO-2K-casting resin PU552FL, depending on the application).



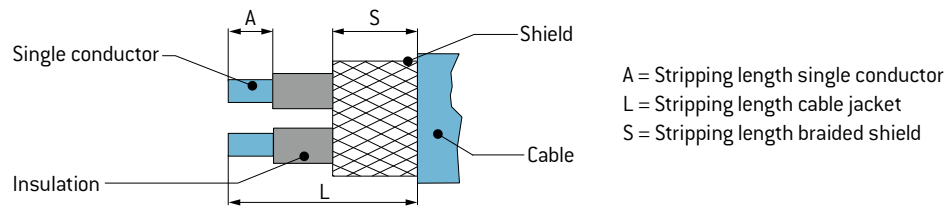
Step 8

- ▶ Bend relief: This can be implemented by means of overmolding or by using shrink boot. More information on [page 8](#).

GENERAL NOTES

RECOMMENDED STRIPPING LENGTH

The following table provides recommended guidelines for cable preparation.



Shell size	Insert arrangement	Contact	Straight cable assembly			Right angled assembly		
			L	A	S	L	A	S
9	8 way	#22D	22	4.1	12	32	4.1	30
9	10 way	#22D	22	4.1	12	32	4.1	30
12	5 way	#16	28	6	12	37	6	35
12	18 way	#20MD	28	5.5	12	37	5.5	35
		#22D	28	4.1	12	37	4.1	35

All dimensions in mm

Tolerance: +10 %

Exceptions are noted on special instructions.

Please note concerning data rate connectors:

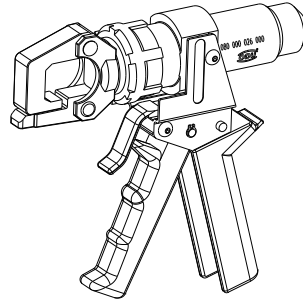
Before crimping, please bend the strands back slightly in the original direction.

If a shield is available for the separate pairs of wires (e.g. STP-cables),

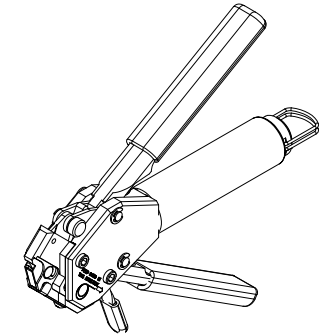
warp it around the pairs as far as possible.

SHIELD TERMINATION

CRIMP SLEEVE



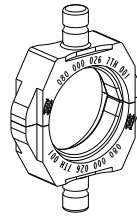
METAL BANDS



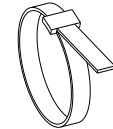
Crimp tool		
Shell size	Material number	ODU number
all	50231527	080.000.026.000.000

Crimp tool		
Shell size	Material number	ODU number
all	50035716	080.000.058.000.000

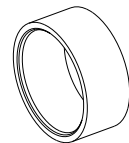
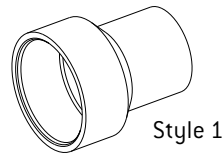
Crimp die		
Shell size	Material number	ODU number
9	50281524	080.000.026.7TE.001
12	50286858	080.000.026.7TH.001



Tie-dex micro bands		
Shell size	Material number	ODU number
all	50156242	921.000.004.000.248



Crimp sleeve			
Shell size	Material number	ODU number	Style
9	50269982	7TE.440.101.304.000	1
	50291239	7TE.440.101.304.001	2
12	50270266	7TH.440.101.304.000	1
	50291232	7TH.440.101.304.001	2



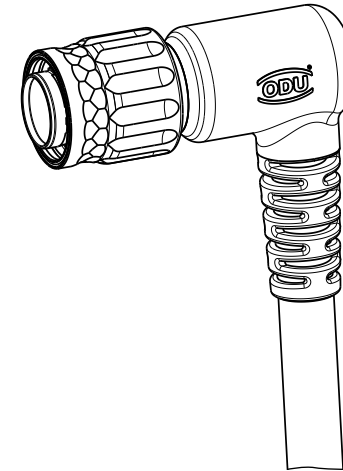
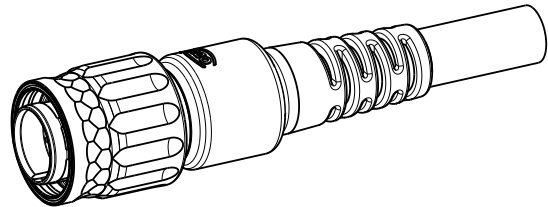
Style 1 is needed for a 20 meter submersible cable assembly.
 Style 2 is needed for a cable assembly with right-angle overmolding.

CABLE INTERFACE

ODU connectors are designed for overmolding. A heatshrinkable bend relief is also possible.

ODU OVERMOLDING

We provide complete solution with straight and right-angled overmolding on request.



Straight heat shrink boot option

Shell size	Material number	ODU number	Hellermann	TE Connectivity
all	50157036	921.000.010.008.084	401-52880	202D121-3-60

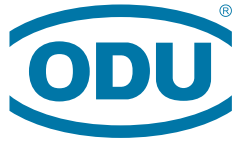
ODU stock parts are written in **bold numbers**.

To a better adhesion of the heatshrink boots on housing and cable, ODU recommend to work with an epoxyd-adhesion e.g. Hellermann V9500, TE Connectivity S1125.

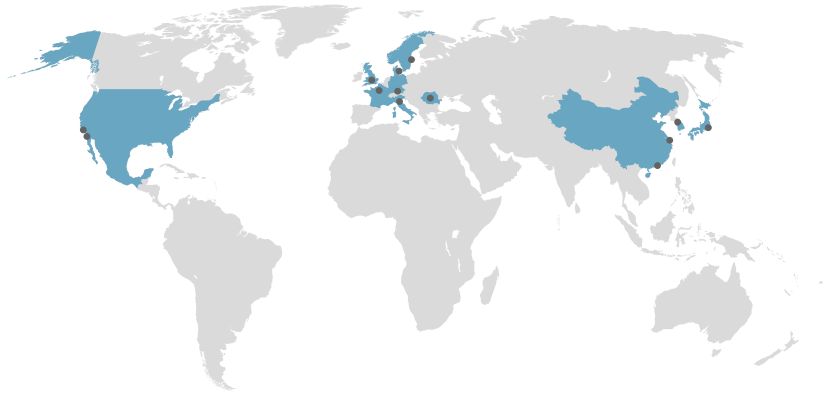
[Take care of Hellermann / TE Connectivity work instruction]

Right angle heat shrink boot option

Shell size	Material number	ODU number	Hellermann
all	50157039	921.000.010.008.087	411-52480



ODU GROUP WORLDWIDE



PRODUCTION AND LOGISTICS SITES

Germany	Otto Dunkel GmbH
China	ODU (Shanghai) Connectors Manufacturing Co., Ltd.
Mexico	ODU Mexico Manufacturing S. de R.L. de C.V.
Romania	ODU Romania Manufacturing SRL
USA	ODU North American Logistics Inc.

HEADQUARTERS

ODU GmbH & Co. KG

Pregelstraße 11, 84453 Mühldorf a. Inn, Germany

Phone: +49 8631 6156-0, Fax: +49 8631 6156-49, E-mail: sales@odu.de

SALES LOCATIONS

ODU (Shanghai) International Trading Co., Ltd.
Phone: +86 21 58347828-0
E-mail: sales@odu.com.cn
www.odu.com.cn

ODU (HK) Trading Co., Ltd.
Phone: +852 3963-9588
E-mail: sales@odu.hk
www.odu.hk

ODU Denmark ApS
Phone: +45 2233 5335
E-mail: sales@odu-denmark.dk
www.odu-denmark.dk

ODU-France SARL
Phone: +33 1 3935-4690
E-mail: sales@odu.fr
www.odu.fr

ODU Italia S.R.L.
Phone: +39 331 8708847
E-mail: sales@odu-italia.it
www.odu-italia.it

ODU Japan K.K.
Phone: +81 3 6441 3210
E-mail: sales@odu.co.jp
www.odu.co.jp

ODU Korea Inc.
Phone: +82 2 6964 7181
E-mail: sales@odu-korea.kr
www.odu-korea.kr

ODU Romania Manufacturing SRL
Phone: +40 269 704638
E-mail: sales@odu-romania.ro
www.odu-romania.ro

ODU Scandinavia AB
Phone: +46 176 18262
E-mail: sales@odu.se
www.odu.se

ODU-UK Ltd.
Phone: +44 330 002 0640
E-mail: sales@odu-uk.co.uk
www.odu-uk.co.uk

ODU-USA Inc.
Phone: +1 805 484-0540
E-mail: sales@odu-usa.com
www.odu-usa.com

Further information and specialized representatives can be found at:
www.odu-connectors.com/contact



Simply scan the QR code to download the entire publication.

www.odu-connectors.com

All dimensions are in mm. Some figures are for illustrative purposes only. Subject to change without notice. Errors and omissions excepted. We reserve the right to change our products and their technical specifications at any time in the interest of technical improvement. This publication supersedes all prior publications. This publication is also available as a PDF file that can be downloaded from www.odu-connectors.com